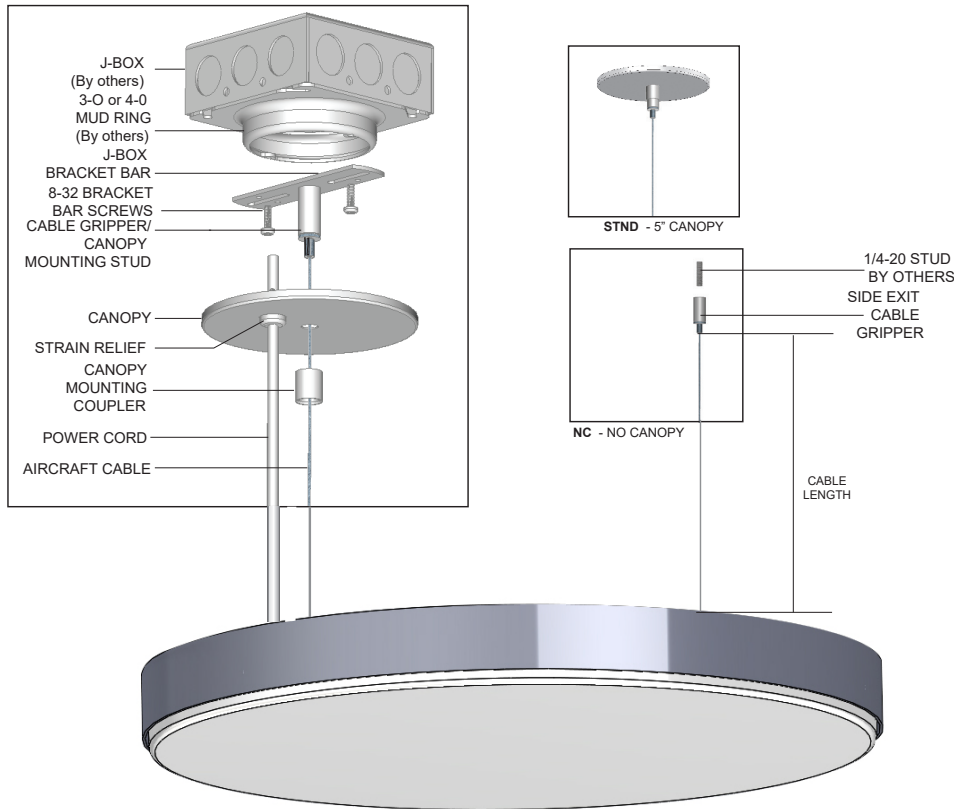


INSTRUCTION SHEET

CSS - Cable Suspended



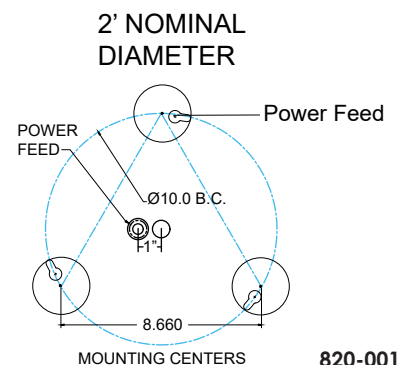
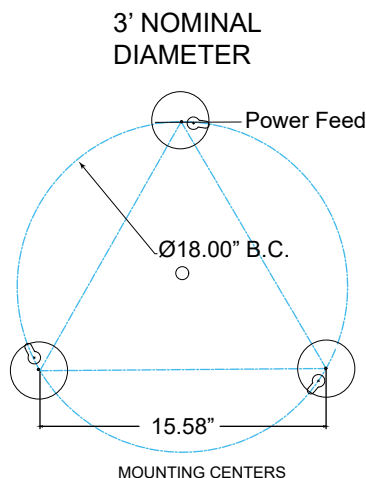
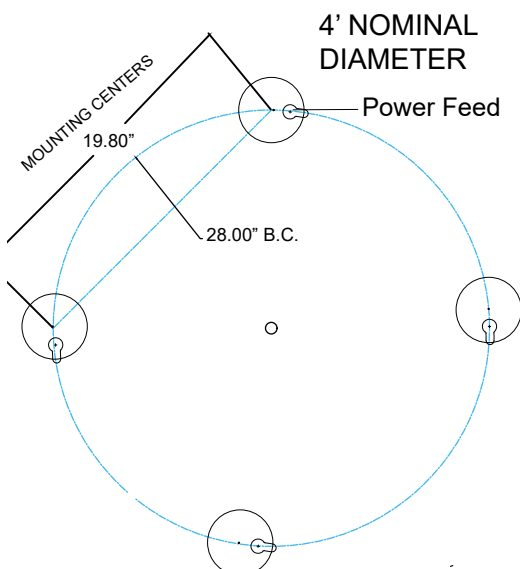
1. See below for J-Box mounting centers (Jbox by others) Assure that all j-boxes are properly mounted to structure and grounded.
2. Secure bracket bar to mud ring for cable next to power drop. All other cable should be attached 1/4-20 stud to structure and install cable gripper. NC (No Canopy) option is available for none power cables.
3. Raise fixture up and insert cables into cable grippers and adjust to desired length.
4. Insert AWM cord through canopy and secure with provided strain relief.
5. Trim off excess cable, be careful not to fray.
6. Complete wire make-up in J-box
7. Install canopy with canopy mounting coupler.

Servicing is while fixture is suspended

1. Two people are required to remove bottom lens, one on each side of the fixture, performing the same task at the same time. Grasp the fixture with one hand and rotate the lens counterclockwise with the other hand until it "clicks". The Lens will drop free.
2. Slide spring latch to hinge down each liner half.
3. You will have access to all drivers behind liner.
4. Reassemble by following 1 and 2 steps in reverse.

Adjusting lens drop

1. Two people are required to remove bottom lens, one on each side of the fixture, performing the same task at the same time.
2. Grasp the fixture with one hand and rotate the lens counterclockwise with the other hand until it "clicks". The Lens will drop free.
3. Select slot, raise and twist to lock into place.

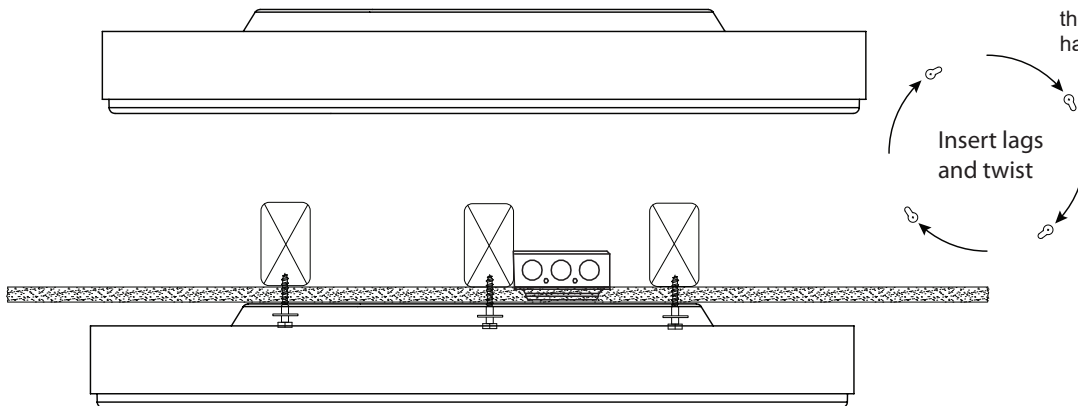
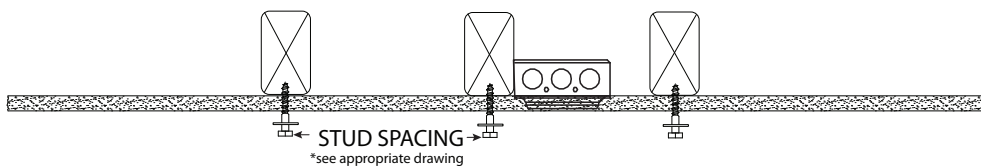
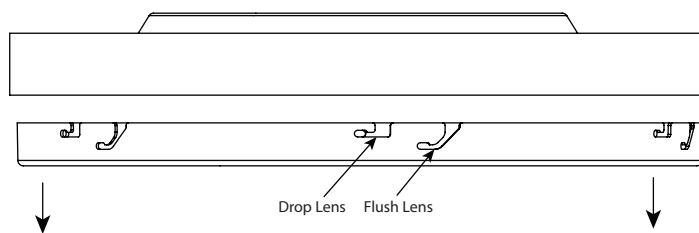
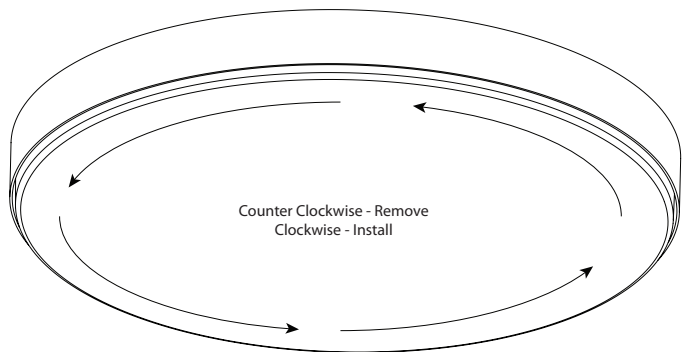


820-00150
V-0419

Note: To be installed by a qualified electrician per N.E.C. and all local codes.

INSTRUCTION SHEET

SM - Surface Mount



1. See appropriate Stand Alone drawing for mounting locations. 1/2" lags and washer should be attached to framing.
2. Remove Lens and unlatch LED liners and hinge down to access mounting holes and drivers.
3. J-box and 4S mud ring (By others) should be centered over fixture to line up with power hole, 1" off center.
4. Support Fixture near ceiling, bring wires through power hole into fixture.
4. Complete wire make-up in fixture.
5. Use 1/2" lag screws with appropriate washer to attach fixture to structure through mounting holes specified on drawing.
6. Reinstall led liners.
7. Install lens by grasping the fixture with one hand and rotating the lens clockwise with the other hand until it "clicks". Once this occurs lens will float slightly but cannot fall out.

Servicing is while fixture is suspended

1. Two people are required to remove bottom lens, one on each side of the fixture, performing the same task at the same time. Grasp the fixture with one hand and rotate the lens counterclockwise with the other hand until it "clicks". The Lens will drop free.
2. Slide spring latch to hinge down each liner half.
3. You will have access to all drivers behind liner.
4. Reassemble by following 1 and 2 steps in reverse.

Adjusting lens drop

1. Two people are required to remove bottom lens, one on each side of the fixture, performing the same task at the same time.
2. Grasp the fixture with one hand and rotate the lens counterclockwise with the other hand until it "clicks". The Lens will drop free.

Note: To be installed by a qualified electrician per N.E.C. and all local codes.

820-00151
V-0419

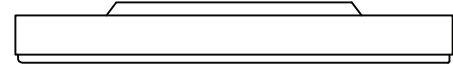
MICHELLE - SM

Circular LED Luminaire
Direct or Dr/ In

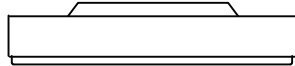
INSTRUCTION SHEET

SM - Surface Mounting Centers

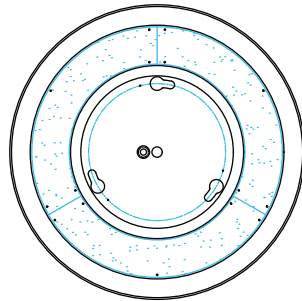
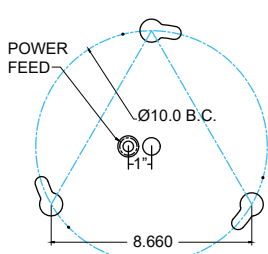
36" MICHELLE



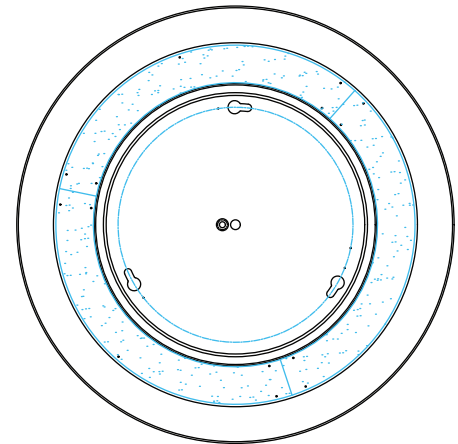
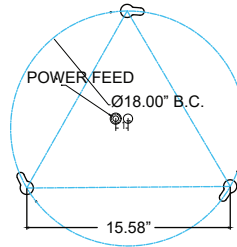
24" MICHELLE



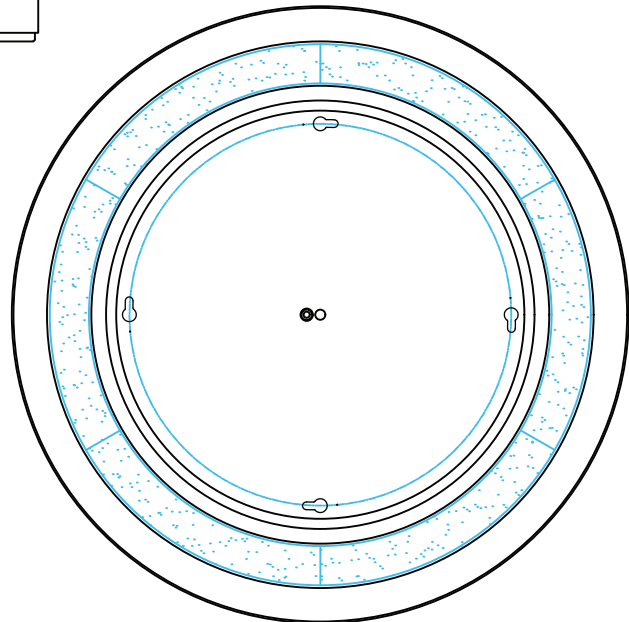
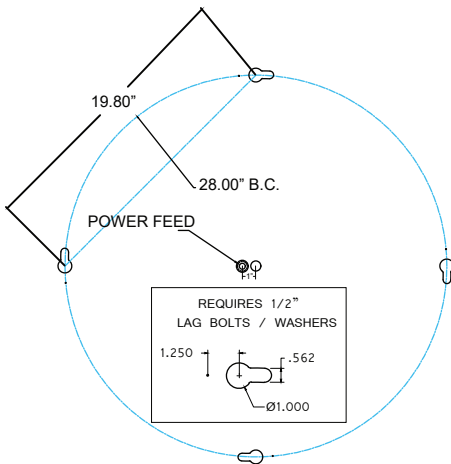
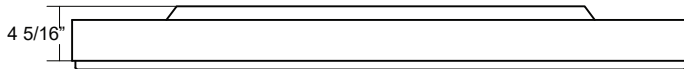
1.250 1.562
Ø1.000
REQUIRES 1/2"
LAG BOLTS / WASHERS



1.250 1.562
Ø1.000
REQUIRES 1/2"
LAG BOLTS / WASHERS



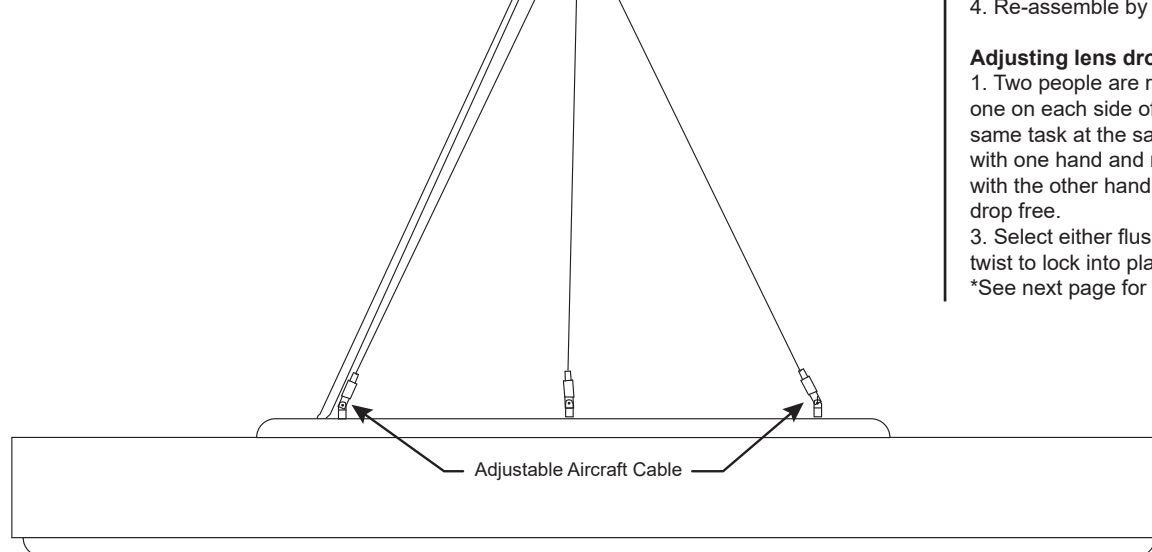
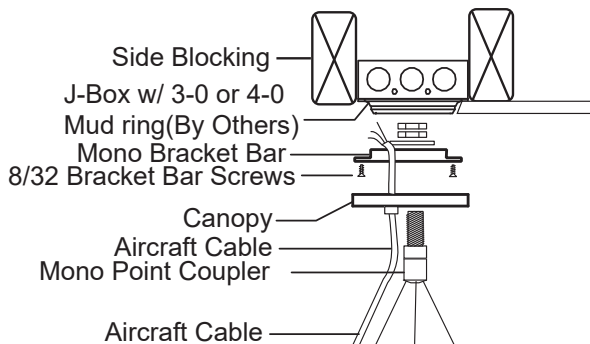
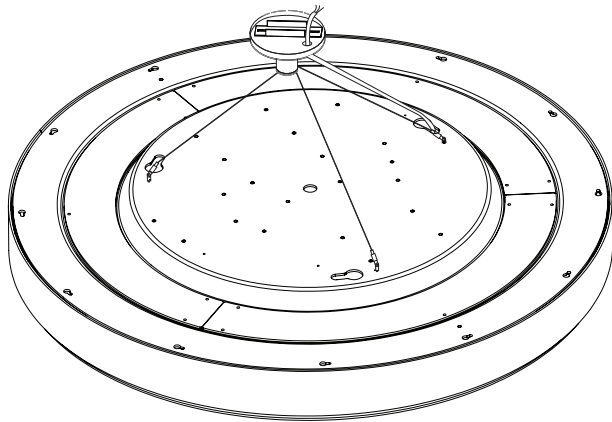
48" MICHELLE



Note: To be installed by a qualified electrician per N.E.C. and all local codes.

INSTRUCTION SHEET

Mono CSS - Cable Suspended



1. Install Jbox (by others) Assure that all j-boxes are properly grounded.
2. Support the J-box with side blocking
3. Screw to side blocking structure (By others)
4. Secure bracket bar to mud ring.
5. Run 3 cables through the Mono Point Coupler
6. Screw threaded rod into Mono Point Coupler.
7. Screw 2 provided chrome couplers on thread rod
8. Slide canopy over thread rod and coupler
9. Screw theaded rod into bracket bar
10. Raise fixture and feed 3 cables coming out of mono coupler into each adjustable cable gripper sticking out of the top lens of of fixture.
11. Adjust fixture to desired height and level out with cable grippers. Trim excess cable.
12. Insert AWM cord up through the hole in the canopy, into J-box.
13. Complete wire make-up
14. Install canopy with magnets to bracket bar.
15. Secure power cord with provided strain reliefs.

Servicing is while fixture is suspended"

1. Two people are required to remove bottom lens, one on each side of the fixture, performing the same task at the same time. Grasp the fixture with one hand and rotate the lens counterclockwise with the other hand until it "clicks". The Lens will drop free.
2. To release the liner, slide spring latch to hinge down each liner half. (24" uses thumb screws)
3. You will have access to all drivers behind liner and keyholes for surface mounting.
4. Re-assemble by following 1 - 3 steps in reverse.

Adjusting lens drop

1. Two people are required to remove bottom lens, one on each side of the fixture, performing the same task at the same time. 2. Grasp the fixture with one hand and rotate the lens counterclockwise with the other hand until it "clicks". The Lens will drop free.
3. Select either flush or drop lens slot, raise and twist to lock into place.

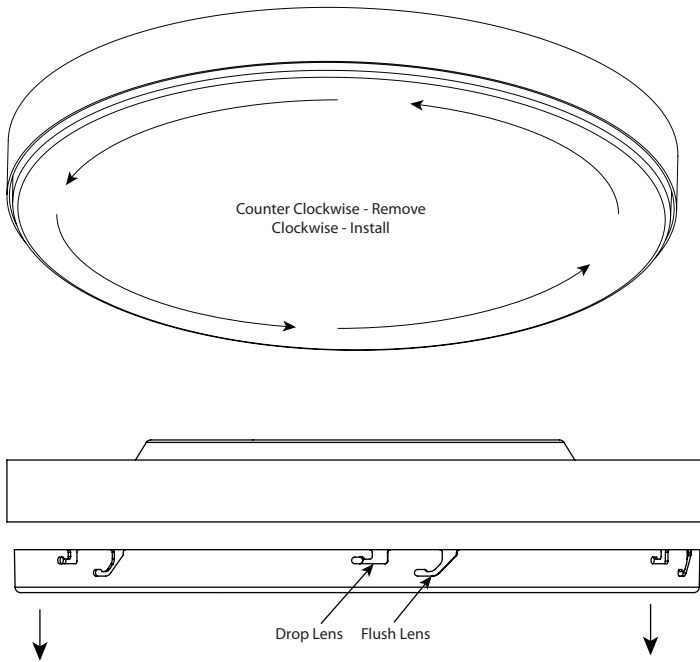
*See next page for illustrations

820-00152
V-0419

Note: To be installed by a qualified electrician per N.E.C. and all local codes.

INSTRUCTION SHEET

Fixture access for installation/service

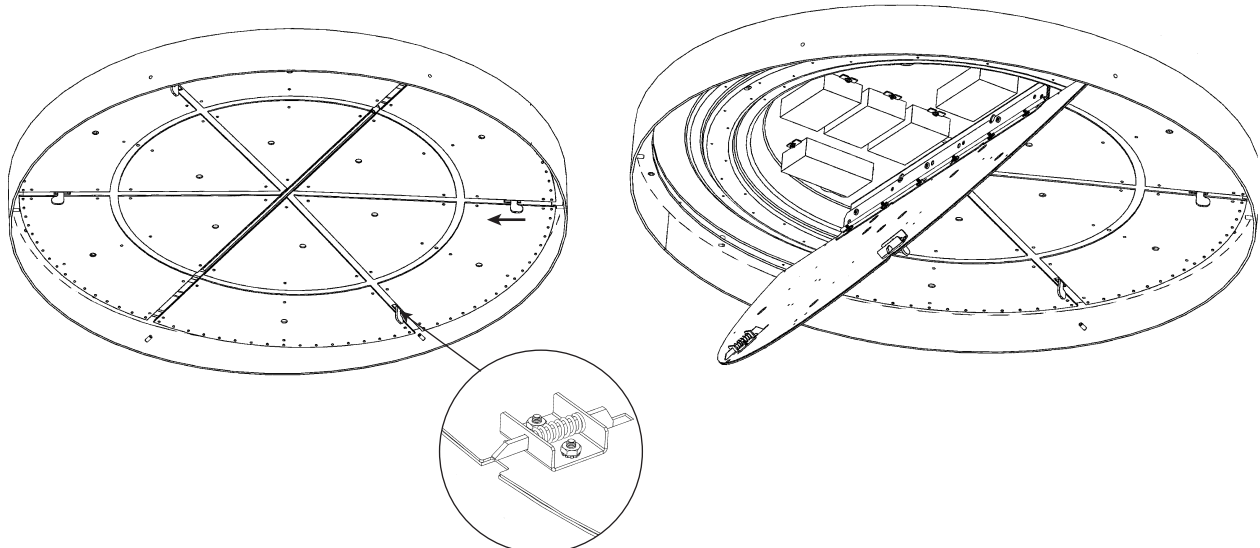


Servicing/ Installing Fixture

1. Two people are required to remove bottom lens, one on each side of the fixture, performing the same task at the same time. Grasp the fixture with one hand and rotate the lens counterclockwise with the other hand until it "clicks". The Lens will drop free.
2. To release the liner, slide spring latch to hinge down each liner half. (24" uses thumb screws)
3. You will have access to all drivers behind liner and keyholes for surface mounting.
4. Re-assemble by following 1 - 3 steps in reverse.

Adjusting lens drop

1. Two people are required to remove bottom lens, one on each side of the fixture, performing the same task at the same time. 2. Grasp the fixture with one hand and rotate the lens counterclockwise with the other hand until it "clicks". The Lens will drop free.
3. Select either flush or drop lens slot, raise and twist to lock into place.



Liner Release

Note: To be installed by a qualified electrician per N.E.C. and all local codes.