

MICHELLE

3" Edge Profile

2', 3', 4' Round Disc LED

CSS | SM




MIC-DR/IN-SM

Elegance and performance all wrapped into one luminaire. The MICHELLE fixture is designed with the architectural community in mind that demands performance and slim profiles centered around the latest LED technology available.

Michelle isn't just a decorative disk that you may have seen in the past. This fixture features fully programmable drivers and custom LED boards that push the performance above anyone else. The 4' MICHELLE is capable of exceeding 40,000 lumens with even illumination dimmed to 1%.

Engineered to reduce glare and eliminate pixilation, the vacuum formed single piece lens is field adjustable from flush to 5/8" reveal.

The flexibility with (CLO) Custom Lumen Output allows this fixture to be used in multiple applications such as: Multi-purpose rooms, atrium, open offices, hospitality or retail establishments.

 UL and c-UL listed for dry and damp locations.



Made in the USA

FIXTURE SPECIFICATIONS

Construction

Heavy gauge extruded aluminum housing. Spun aluminum driver housing. Vacuum formed, single piece acrylic lens.

Mounting Options

(CSS) Cable Suspension System field-adjustable 1/8" aircraft cable, (CSS-M) Mono point suspension, or (SM) Surface Mount.

Fixture Sizes

Fixtures are available in 2', 3' and 4' nominal diameters.

Powder Coat Finishes

(WMT) White Matte Texture, (BMT) Black Matte Texture, (SMT) Silver Matte Texture standard, other powder coat finishes available. Consult factory for details.

LED Light Engine System

LED Light Engine is available as HLO (High Lumen Output) and SLO (Standard Lumen Output) providing efficient illumination. CLO (Custom Lumen Output) allows for end user specified lumen output or tailored wattage consumption for certain models. Consult factory for details.

The In-Direct option has a standard CCT static white options, or RGB and static color options.

Lens

The Michelle boasts a single pieces, vacuum formed drop lens to make it stand out from the competition. There are no seams on this elegant disc and it has a simple twist lock engagement for installation. There are 2 positions that can be adjusted in the field, Flush and 5/8" drop.

Controls

Dimming is available down to 1%. 0-10v dimming is standard and DMX is available for indirect RGB. Consult factory for availability and specifications.

CCT

Standard CCT's available 2700-4000k.

CRI

2700 - 90 CRI Standard
3000-4000k - 80 CRI Standard

Type: Job Name:

CSS | SM

SPECIFICATION CODE

CSS selections only³

model	light	color engine	diameter	finish	voltage	Direct Driver	InDirect Driver	mounting	standard cable length	standard cord color	standard canopy	standard canopy finish	options	options
-------	-------	--------------	----------	--------	---------	---------------	-----------------	----------	-----------------------	---------------------	-----------------	------------------------	---------	---------

Model	Direct Light Output	In-Direct Light Output	Direct Color Temp	In-Direct Color Temp	Nominal Diameter	Finish	Voltage	Direct Driver	InDirect Driver	Mounting	Options
MIC-DR- 3" edge profile Direct	SLO - Standard Lumen Output	SLO - Standard Lumen Output	27 - 2700K 30 - 3000K 35 - 3500K 40 - 4000K	27 - 2700K 30 - 3000K 35 - 3500K 40 - 4000K	24 - 24" 30 - 36" 36 - 36" 48 - 48"	Powder Coat WMT - White Matte Texture	120 277 347²	EB - Electronic (standard)	EB - Electronic (standard)	CSS - Cable Suspended (36" standard)	Cable Length ¹ Cord Color ¹ Canopy ¹ Canopy Finish ¹
MIC-DR/IN- 3" edge profile Direct/Indirect	HLO - High Lumen Output	HLO - High Lumen Output	40 - 4000K	40 - 4000K	RGB⁵ - color changing SR - Static Red SB - Static Blue SG - Static Green option	BMT - Black Matte Texture SMT - Silver Matte Texture CUP - Custom³	Dimming D1 - 1% (nom) 0-10V	Dimming D1 - 1% (nom) 0-10V	CSS-M - Cable Suspended Mono Point (36" standard)	DMX - DMX control for RGB	

CSS Options

Cable Length	Power Cord Color	Canopy	Canopy Finish
36 - 36" (standard)	W - White	STND - Bracket bar w/5" round canopy	MW - Matte White
72 - 72"	B - Black	NC - No canopy 1/4-20 side exit cable gripper (1/4-20 stud provided by others)	SMT - Silver Matte Texture
120 - 120"	G - Gray (standard)	CU - Custom (contact factory)	FB - Flat Black
			CUP - Custom (contact factory)

Option Code

Options

2CKT - 2 Circuit

EM² - Remote option
Inverter

NOTES

- see CSS options for selections
- available for EB, D1 drivers only
- contact factory for custom finish
- available for EB and D1 drivers only
- Contact Factory

Fixture Performance

(Delivered Lumens and Fixture Input Wattage)

¹preliminary testing, subject to change

MIC-DR/IN-2' (4000K) 25% Indirect / 75% Direct

SLO-SLO - 6870 lm @ 62.16 watts

HLO-HLO - 13741 lm @ 124 watts

CLO - Custom Lumen Output - Contact Factory

MIC-DR-2' (4000K)

SLO-SLO - 4536 lm @ 42 watts

HLO-HLO - 9072 lm @ 84 watts

CLO - Custom Lumen Output - Contact Factory

MIC-DR/IN-3' (4000K) 25% Indirect / 75% Direct

SLO-SLO - 15231 lm @ 138.6 watts

HLO-HLO - 30462 lm @ 277 watts

CLO - Custom Lumen Output - Contact Factory

MIC-DR-3' (4000K)

SLO - 11,334 lm @ 105 watts

HLO - 22,668 lm @ 210 watts

CLO - Custom Lumen Output - Contact Factory

MIC-DR/IN-4' (4000K) 25% Indirect / 75% Direct

SLO-SLO - 27,382 lm @ 250 watts

HLO-HLO - 54,765 lm @ 399 watts

CLO - Custom Lumen Output - Contact Factory

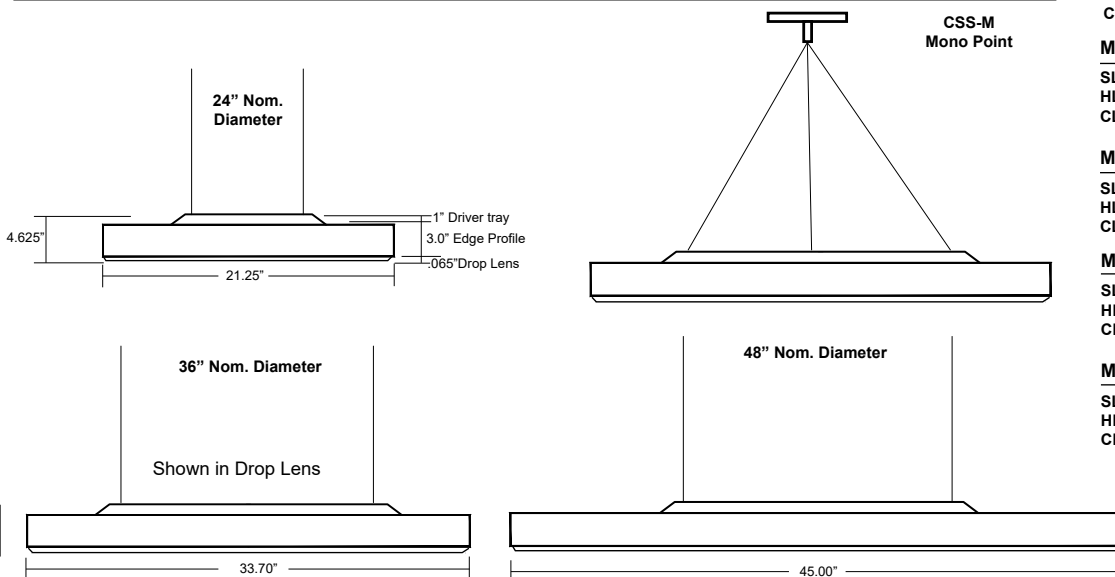
MIC-DR-4' (4000K)

SLO - 21,500 lm @ 200 watts

HLO - 43,000 lm @ 500 watts

CLO - Custom Lumen Output - Contact Factory

Dimensions



V-0719